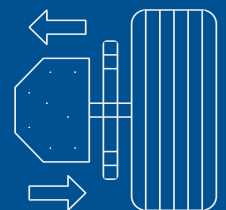


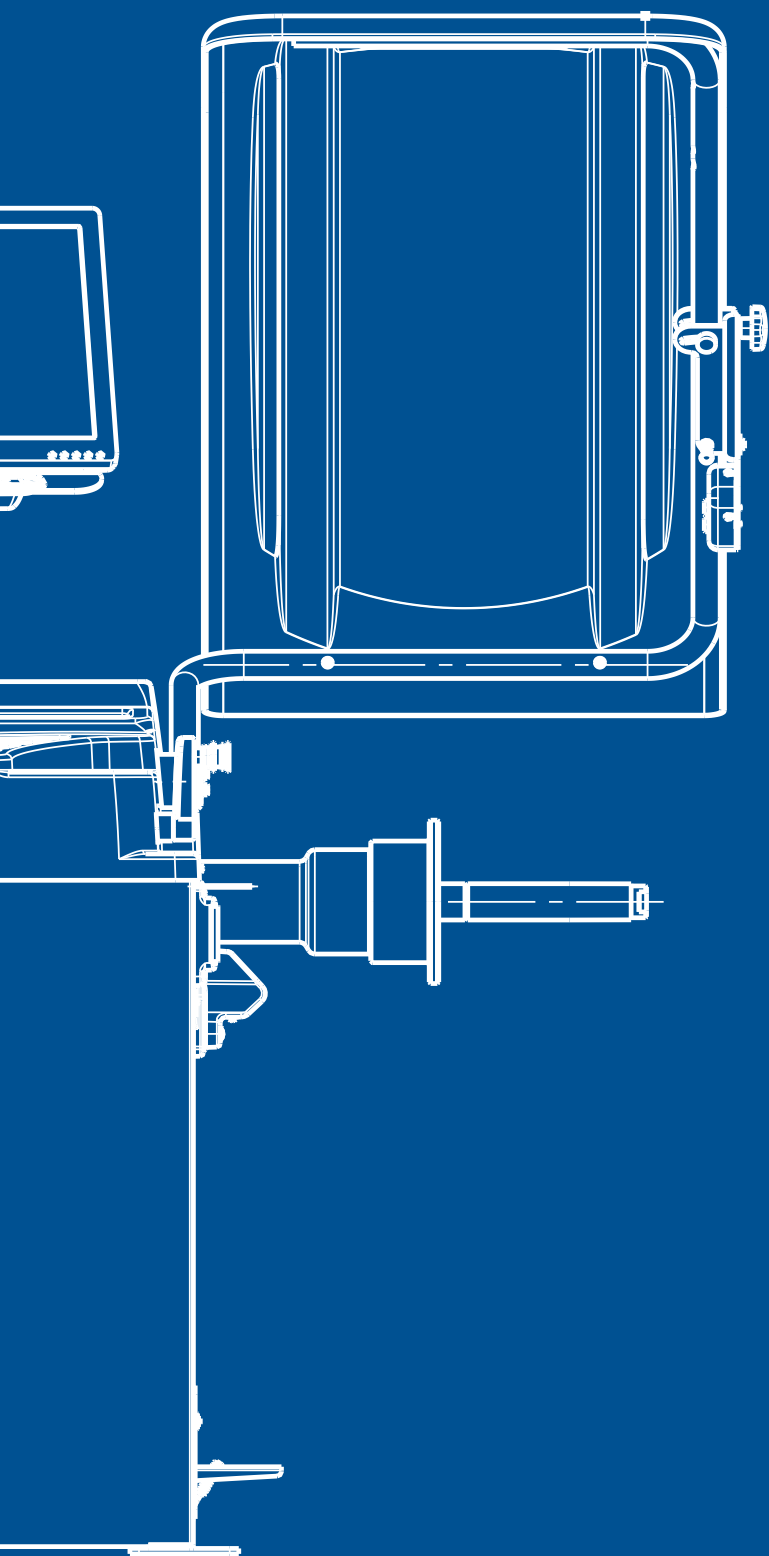
WHEEL BALANCERS

Electronic wheel balancers with microprocessor



 **Ravaglioli**

GP4.150WSPLUS



Impeccable precision:

automatic wheel data acquisition tracer points and laser pointer

Practical design:

equipped with 22" touchscreen monitor

Intuitive technology:

graphics and colours are studied to make using the wheel balancer easier



Passenger car wheel balancer complete with cones for car, SUV and off-road vehicle, touchscreen monitor, laser pointer, rim diameter: 10” - 30”.

WHEEL BALANCERS

Electronic wheel balancers with microprocessor



Run-out measurement.

Rim run-out measurement with 2D measurement arm.



Laser pointer.

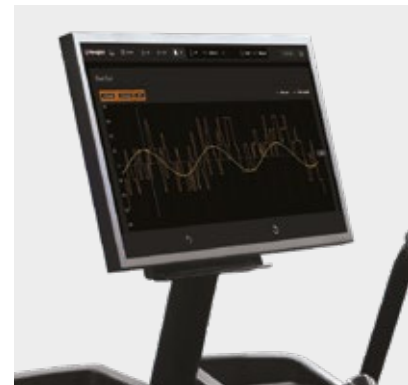
Indicates the positioning of the weight with a laser pointer (for adhesive weights).



Wheel balancing programs: Dynamic, Static, ALU and ALU-S, separation of weights and hidden weights behind the spokes and optimisation program.



Eco-Weight wheel balancing program. Modern system for resetting the unbalance to reduce weight consumption.



Sonar to measure the radial run-out.



WHEEL BALANCERS

Electronic wheel balancers with microprocessor



22" touchscreen monitor.

Pneumatic clamping device.

The machine **automatically stops** in the external unbalance position.

Sonar for automatic measurement of the wheel width.

Automatic repositioning on the inside.

Sonar to measure the radial run-out

LED rim lighting.

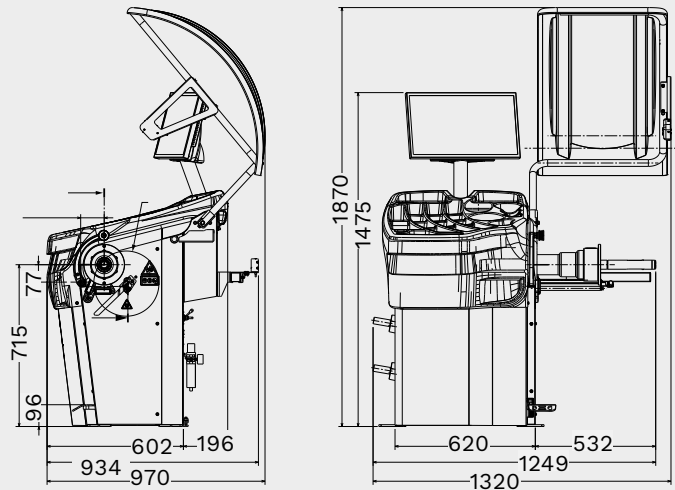
Automatic measurement of the distance and diameter using a built-in 2D measuring arm.

WHEEL BALANCERS

Electronic wheel balancers with microprocessor



Technical data



	GP4.150WSPLUS
Item no.	RAV.G4150.201621
Measuring speed	< 100 giri/min
Measuring time	6 s
Balancing accuracy +/-	1 g
Display	TFT
Rim width	1.5" - 22"
Rim diameter min.	10" - 30"
Wheel diameter max.	1100 mm
Wheel weight max.	80 kg
Power supply	230 V 50 - 60 Hz
Phases	1
Depth	1320 mm
Width	970 mm
Height	1870 mm
Weight	150 kg

Accessories

Standard



GAR112
Centering cone for off-road vehicles
(Ø 95–132 mm)



GAR111
Centering cones for passenger car
(Ø 44–112 mm) 1 set / 3 pieces



GAR351
Bush for air locking + with pressure ring



GAR121
Rim protection disk



GAR132
Precision type clamping flange Universal, for wheels with 3/4/5 holes

Option



GAR113
Centering cone for vans and light trucks (Ø 118–174 mm)



GAR131H
Type clamping flange Universal



GAR324
Wheel lift with automatic compensation of wheel weight



GAR375
Tape-weight roller support



RAV Italy

Vehicle Service Group Italy S.r.l.

Via Filippo Brunelleschi 9
44020 Ostellato (FE)
Italy

☎ +39.051.6781511
☎ +39.051.846349
✉ rav@ravaglioli.com

RAV France

RAV France SARL

4, Rue De Longue Raie
ZAC de la Tremblaie
91220 Le Plessis Pâté
France

☎ +331.60.86.88.16
☎ +331.60.86.82.04
✉ rav@ravfrance.fr

RAV Germany

BlitzRotary GmbH

Hüfingener Straße 55
78199 Bräunlingen
Germany

☎ +49.771.9233.0
☎ +49.771.9233.99
✉ ravid@ravaglioli.com

RAV UK


Vehicle Service Group UK Ltd

3 Fourth Avenue,
Bluebridge Industrial Estate
Halstead, Essex, CO9 2SY
United Kingdom

☎ +44.1787.477711
☎ +44.1787.477720
✉ rav@ravaglioli.com

DRJ19U(02)

Technical data and composition presented in this catalogue may vary.
Pictures reproduced are only indicative.

Member of VSG - Vehicle Service Group
a  company

