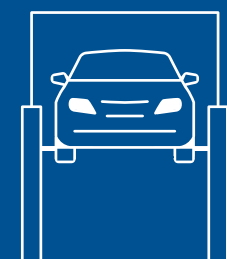


2-POST LIFTS
Electromechanical

From History to the Future



 **Ravaglioli**

LEGEND SERIES
KPS32-KPC32



Modern design:

clean and linear column profile with internal carriage

Innovative DNA:

long-lasting high-quality components and tested for 20000 cycles

Space optimisation:

ultimate ergonomics thanks to the electronic foot guard

Emerging from the best selling 2-post lifts, the **Legend Series** consolidates the **engineering knowledge** of Ravaglioli and shapes it into an **innovative package**. **Looking towards the future while always honouring the past**, Ravaglioli has set an important goal for itself - let the performance meet the design.

Electronic synchronization.

Short 3-stage arms and long 2-stage arms with quick fit telescopic rubber pad.



Wide rubber protected areas.

Internal carriages running on lubricated sliding guides, protected from the external environment, that ensures a longer life to the sliding elements.

The new column geometry allows for quick replacement of the nut.

Model KPS32



Model KPC32

The geometry of the arms was designed to lift anything from city to long-wheelbase cars.



Equipped with an acoustic anti toe trap system. Free from mechanical foot guards.

Premium quality of components.



Aluminum pulley with cooling function.



Long lasting bearings.



50% longer, bronze load nut.



Motors with reinforced and cooling casing.



Solid automatic arm locking.



KPS32

Load-bearing base: installation also possible on floors having levelness problems or insufficient capacity parameters and cement thickness.

(*Please refer to the manual for installation requirements.)

Lowered load-bearing platform: H 50 mm.

KPC32

Base with smaller size that reduces the work area space.

A set with two plates allows lifts to be installed even on a quality of concrete lower than required.

Capacity



3.2

Minimum routine maintenance.

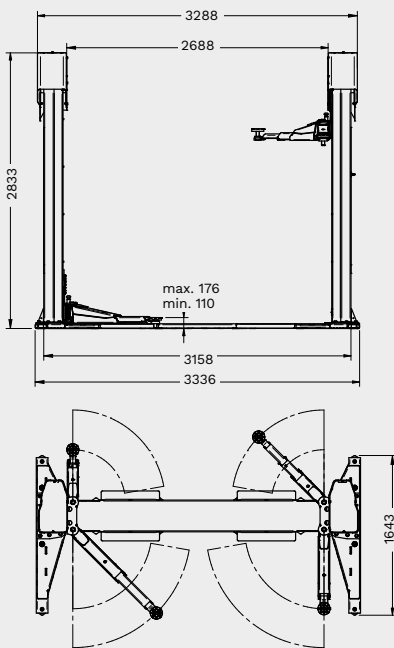
The operating parts require little time for easy replacement or maintenance reducing the risk of error on safety elements.

Guaranteed safety and quality over the time.

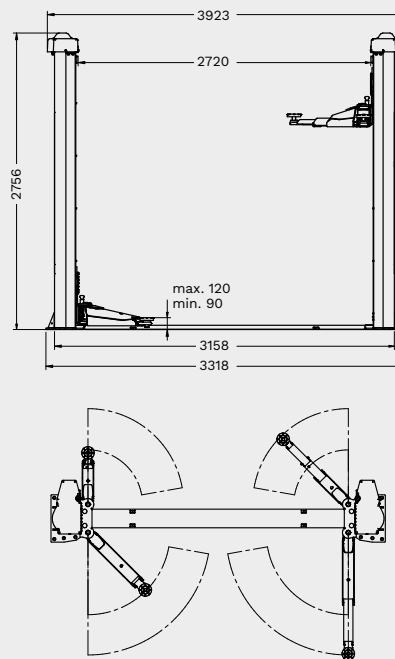
The lift is equipped with premium components that guarantee durability and maximum safety for the operator.

Technical Data

KPS



KPC



	KPS32	KPC32
Capacity	3200 kg	3200 kg
Max. lifting height	1883 mm	1883 mm
Lifting time	42 s	42 s
Min. pad height	110 mm	90 mm
Max. pad height	176 mm	120 mm
Column height	2833 mm	2756 mm
Drive-through width	2468 mm	2468 mm
Min. ceiling height	4050 mm	4050 mm
Arm layout	asymmetric	asymmetric
Min. front arm length	541 mm	511 mm
Max. front arm length	950 mm	914 mm
Min. rear arm length	815 mm	805 mm
Max. rear arm length	1215 mm	1203 mm
Width	3336 mm	3318 mm
Height	2833 mm	2756 mm

	Item no.	Base	Control	Teq-Link	Power supply
KPS32	RAV.KPS32.198686	load-bearing	push buttons	✓	400 V 50 Hz
KPC32	RAV.KPC32.198709	space-saving	rotating switch		400 V 50 Hz

Accessories



VSG.2CALL.901071
Kit containing 8 spacers for pads
4 spacers x H 89 mm + 4 spacers x H 127 mm, 2 spacer support brackets



VSG.2CALL.901248
Kit containing 4 spacers for pads
4 spacers x H 200 mm, 2 spacer support brackets



VSG.2CALL.901163
Kit with frame engaging adapters
1 set with 4 pieces



VSG.2CALL.901330
Kit with U-shaped frame engaging adapters
1 set with 4 pads



VSG.2CALL.901538
Kit with pads for TESLA vehicles
1 set with 4 pads



VSG.2CALL.901859
Mercedes G class support pads kit
1 set of 4 pads



VSG.2CALL.902023
Kit with pads for Fiat 500E, 500 ABARTH
1 set with 4 pads



VSG.2CALL.902146
Kit with pads for MEB platform
1 set with 4 pads



VSG.2CELM.901927
Eyebolt for handling columns (3.2 t - 3.5 t - 4.2 t)
It facilitates installation of the lift, can be used again for other installations



VSG.2CALL.902818
Vehicles lift platforms kit
1 set with 4 ramps, ramp height 60 mm



VSG.2CALL.902085
Kit of stands for alignment
1 set with 4 stands



VSG.2CALL.902641
Magnetic tray
1 set with 2 trays



VSG.2CALL.902511
Holder for impact wrench
Ergonomic tool support



RAV Italy

Vehicle Service Group Italy S.r.l.

Via Filippo Brunelleschi 9
44020 Ostellato (FE)
Italy

☎ +39.051.6781511
☎ +39.051.846349
✉ rav@ravaglioli.com

RAV France

RAV France SARL

4, Rue De Longue Raie
ZAC de la Tremblaie
91220 Le Plessis Pâté
France

☎ +331.60.86.88.16
☎ +331.60.86.82.04
✉ rav@ravfrance.fr

RAV Germany

BlitzRotary GmbH

Hüfingener Straße 55
78199 Bräunlingen
Germany

☎ +49.771.9233.0
☎ +49.771.9233.99
✉ ravd@ravaglioli.com

RAV UK

Vehicle Service Group UK Ltd

3 Fourth Avenue,
Bluebridge Industrial Estate
Halstead, Essex, CO9 2SY
United Kingdom

☎ +44.1787.477711
☎ +44.1787.477720
✉ rav@ravaglioli.com

DRD43U(01)

