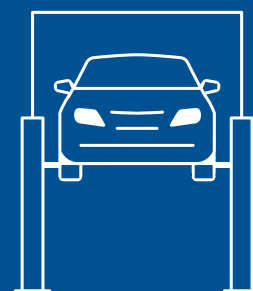


**2-POST LIFTS**  
Electromechanical

# From History to the Future



 **Ravaglioli**

**LEGEND SERIES**  
**KPX32ER - KPX35LLE**



## **Up-to-date design:**

modern outline that brings modernity and usability to the workshop

## **Innovative DNA:**

long-lasting high-quality components and tested for 20000 cycles

## **Future proof:**

lifts designed for the TEq-Link workshop connectivity system

Emerging from the best selling 2-post lifts, the **Legend Series** consolidates the **engineering knowledge** of Ravaglioli and shapes it into an **innovative package**. **Looking towards the future while always honouring the past**, Ravaglioli has set an important goal for itself - let the performance meet the design.

## 2-POST LIFTS

Electromechanical



The **electronic synchronization** avoids the installation and periodical adjustment of the realignment cable.

Automatic and **permanent nut lubrication** system to guarantee efficient lifting and descent.

**Special high efficiency motors.**



Model KPX32ER  
Asymmetric columns

Model KPX35LLE  
Symmetric columns



**Automatic conical arm locking** system.



**Long lasting** bronze main nut, for maximum safety.

**Steel high resistance rolled screw** to provide long life.

## KPX35LLE

Super car lift. Equipped with four long double-stage ultra-low arms perfect for extra low vehicles.

Minimum pad height 83 mm. Arms made of special steel, with first stage height just 50 mm and second stage height 65 mm, parallel with the floor and suitable for sports vehicles.

  
**3.5**



## KPX32ER

Super low arms parallel to the floor. Double extension pads with minimum height of just 80 mm.

  
**3.2**

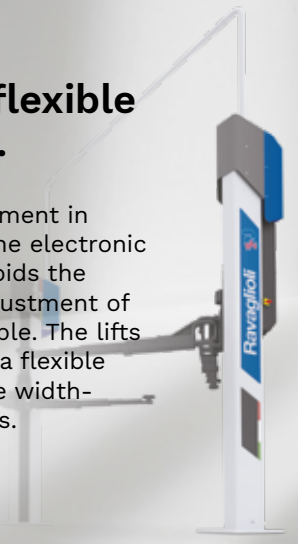
## Quick and easy operations.

Free of obstacles working space to guarantee safety and comfort.

Outrigger plates are available upon request, for floors not compliant with installation requirements

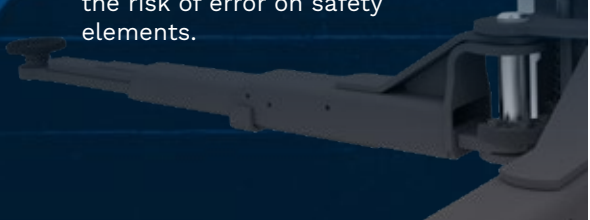
## Smart and flexible installation.

Up to 20% improvement in installation time. The electronic synchronization avoids the installation and adjustment of the realignment cable. The lifts can be installed in a flexible way thanks to three width-adjustable positions.



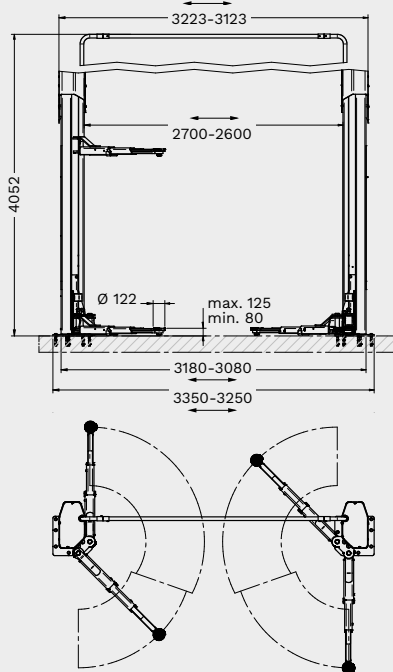
## Minimum routine maintenance.

The operating parts require little time for easy replacement or maintenance reducing the risk of error on safety elements.

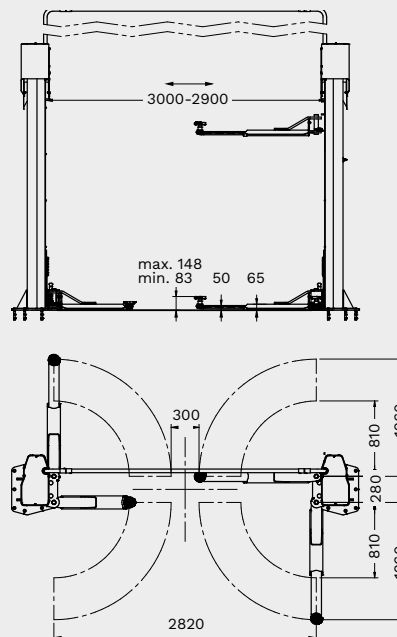


# Technical Data

**KPX32ER**



**KPX35LLE**



	<b>KPX32ER</b>	<b>KPX35LLE</b>
<b>Capacity</b>	3200 kg	3500 kg
<b>Max. lifting height</b>	1990 mm	1973 mm
<b>Lifting time</b>	42 s	42 s
<b>Min. pad height</b>	80 mm	83 mm
<b>Max. pad height</b>	125 mm	148 mm
<b>Drive-through width</b>	2472 - 2372 mm	2704 - 2604 mm
<b>Min. ceiling height</b>	4150 mm	4100 mm
<b>Arm layout</b>	symmetric	symmetric
<b>Min. front arm length</b>	585 mm	810 mm
<b>Max. front arm length</b>	1195 mm	1250 mm
<b>Min. rear arm length</b>	585 mm	810 mm
<b>Max. rear arm length</b>	1195 mm	1250 mm
<b>Width</b>	3350 - 3250 mm	3728 - 3628 mm
<b>Height</b>	4052 mm	4000 mm

	<b>Item no.</b>	<b>Control</b>	<b>Energy kit</b>	<b>TEq-Link</b>	<b>Power supply</b>
KPX32ER	RAV.KPX32.198815	push buttons	✓	✓	400/3/50Hz
KPX35LLE	RAV.KPX35.199294	push buttons	✓	✓	400/3/50Hz

# Accessories



**VSG.2CALL.901071**  
Kit containing 8 spacers for pads  
4 spacers x H 89 mm + 4 spacers x  
H 127 mm, 2 spacer support brackets



**VSG.2CALL.901248**  
Kit containing 4 spacers for pads  
4 spacers x H 200 mm, 2 spacer  
support brackets



**VSG.2CALL.901163**  
Kit with frame engaging adapters  
1 set with 4 pieces



**VSG.2CALL.901330**  
Kit with U-shaped frame engaging  
adapters  
1 set with 4 pieces



**VSG.2CALL.901538**  
Kit with pads for TESLA vehicles  
1 set with 4 pads



**VSG.2CALL.901859**  
Mercedes G class support pads kit  
1 set of 4 pads



**VSG.2CALL.902023**  
Kit with pads for Fiat 500E, 500  
ABARTH  
1 set with 4 pads



**VSG.2CALL.902146**  
Kit with pads for MEB platform  
1 set with 4 pads



**VSG.2CALL.901712**  
Sprinter/crafter support pads kit  
1 set with 6 pads, for Mercedes  
Sprinter and Volkswagen Crafter old  
and new series



**VSG.2CALL.901606**  
Ducato/boxer/jumper support pads kit  
1 set of 4 pads, 2 front and 2 rear



**VSG.2CALL.901378**  
Outrigger plates kit (3.5 t)  
1 set of 2 plates, allowing installation  
on floors with poor capacity or lower  
concrete thickness



**VSG.2CALL.901361**  
Outrigger plates kit (3.2 t)  
Set of 2 plates, allowing installation  
on floors with poor capacity or lower  
concrete thickness



**VSG.2CELM.902344**  
Kit for increasing overhead cable  
passage height  
Up to + 1.5 m



**VSG.2CELM.901927**  
Eyebolt for handling columns (3.2 t -  
3.5 t - 4.2 t)  
It facilitates installation of the lift, can  
be used again for other installations



**VSG.2CALL.902818**  
Vehicles lift platforms kit  
1 set with 4 ramps, ramp height 60  
mm



**VSG.2CALL.902085**  
Kit of stands for alignment  
1 set with 4 stands



**VSG.2CALL.902641**  
Magnetic tray  
1 set with 2 trays



**VSG.2CELM.902283**  
Width extension KPX35LLE (3200 mm)  
Enables columns to be widened up to  
3200 mm



### **RAV Italy**

Vehicle Service Group Italy S.r.l.

Via Filippo Brunelleschi 9  
44020 Ostellato (FE)  
Italy

☎ +39.051.6781511  
☎ +39.051.846349  
✉ rav@ravaglioli.com

### **RAV France**

RAV France SARL

4, Rue De Longue Raie  
ZAC de la Tremblaie  
91220 Le Plessis Pâté  
France

☎ +331.60.86.88.16  
☎ +331.60.86.82.04  
✉ rav@ravfrance.fr

### **RAV Germany**

BlitzRotary GmbH

Hüfingener Straße 55  
78199 Bräunlingen  
Germany

☎ +49.771.9233.0  
☎ +49.771.9233.99  
✉ ravd@ravaglioli.com

### **RAV UK**

Vehicle Service Group UK Ltd

3 Fourth Avenue,  
Bluebridge Industrial Estate  
Halstead, Essex, CO9 2SY  
United Kingdom

☎ +44.1787.477711  
☎ +44.1787.477720  
✉ rav@ravaglioli.com

DRD47U(01)

