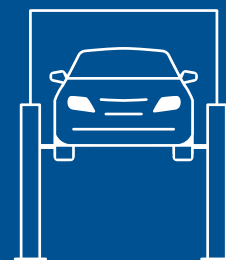


**2-POST LIFTS**  
Electromechanical

# From History to the Future



 **Ravaglioli**

**LEGEND SERIES**  
**KPX32 - KPX35**



## **Up-to-date design:**

modern outline that brings modernity and usability to the workshop

## **Innovative DNA:**

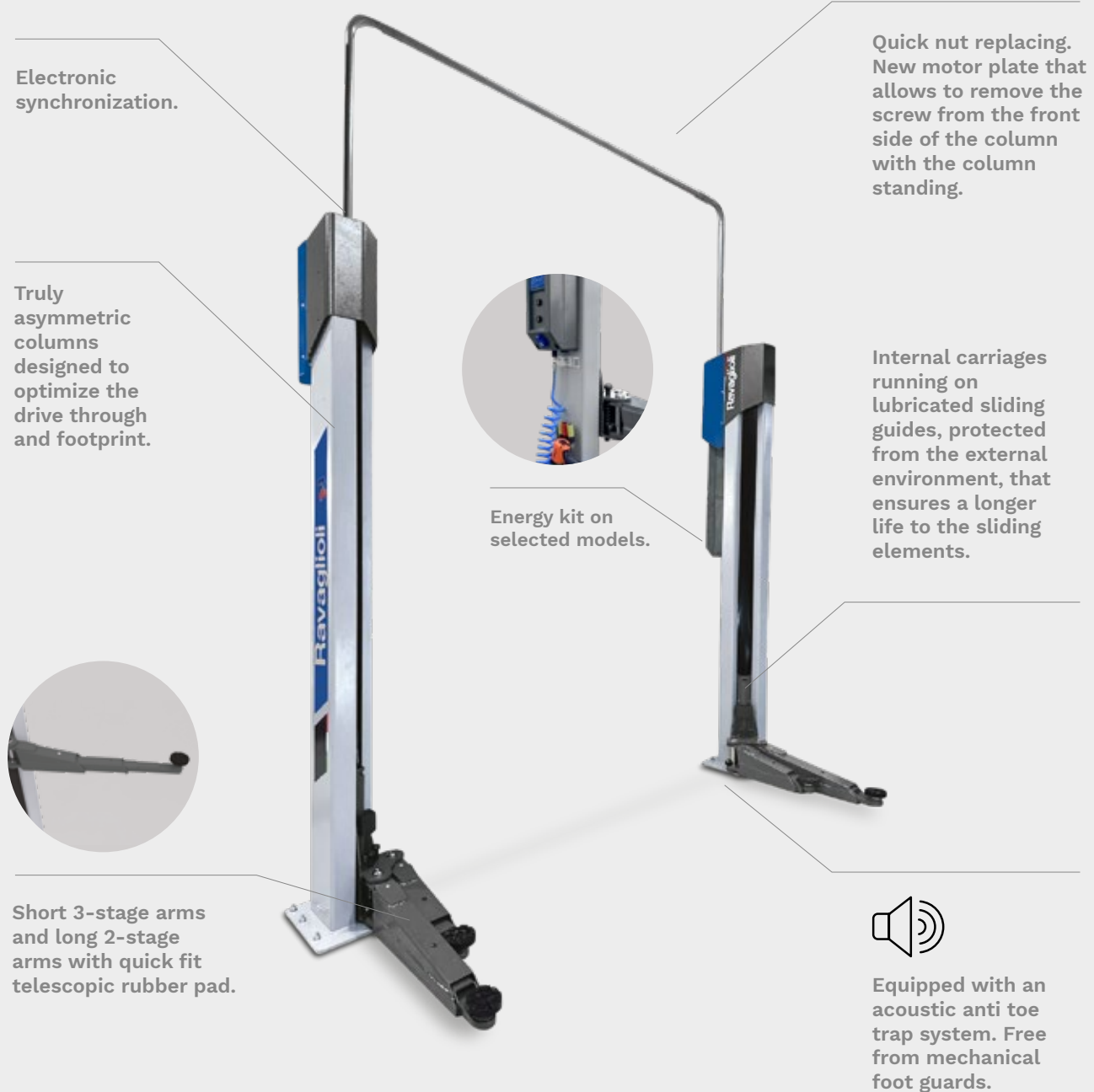
long-lasting high-quality components and tested for 20000 cycles

## **Future proof:**

lifts designed for the TEq-Link workshop connectivity system



Emerging from the best selling 2-post lifts, the **Legend Series** consolidates the **engineering knowledge** of Ravaglioli and shapes it into an **innovative package**. **Looking towards the future while always honouring the past**, Ravaglioli has set an important goal for itself - let the performance meet the design.



### Premium quality of components.



Aluminum pulley with cooling function.



Long lasting bearings.



50% longer, bronze load nut.



Motors with reinforced and cooling casing.



Solid automatic arm locking.



## KPX32

The geometry of the arms was designed to lift anything from city to longwheelbase cars.



3.2



## KPX35

The geometry of the arms has been designed to lift anything from city cars to long wheel base medium vans.



3.5



Push buttons control (up/down) at an ergonomic height.



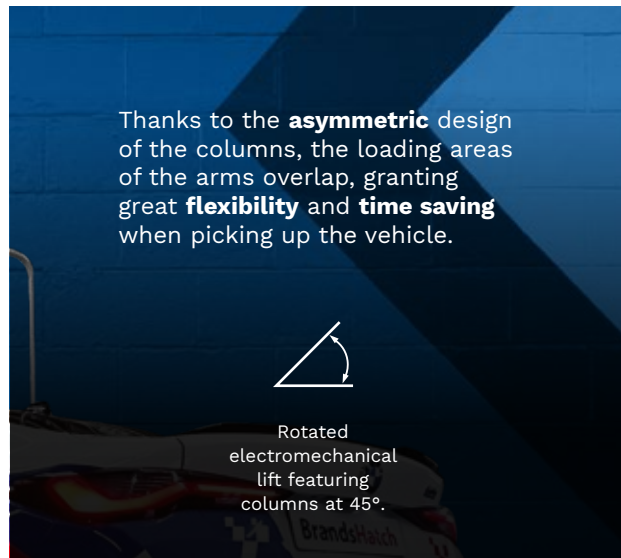
**Easy door opening.**  
The vehicle can be placed backward without any worries about damaging the vehicle itself.



Thanks to the **asymmetric** design of the columns, the loading areas of the arms overlap, granting great **flexibility** and **time saving** when picking up the vehicle.



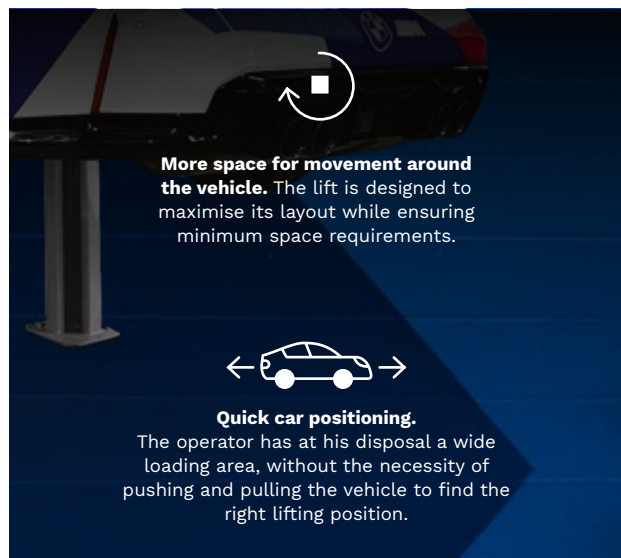
Rotated electromechanical lift featuring columns at 45°.



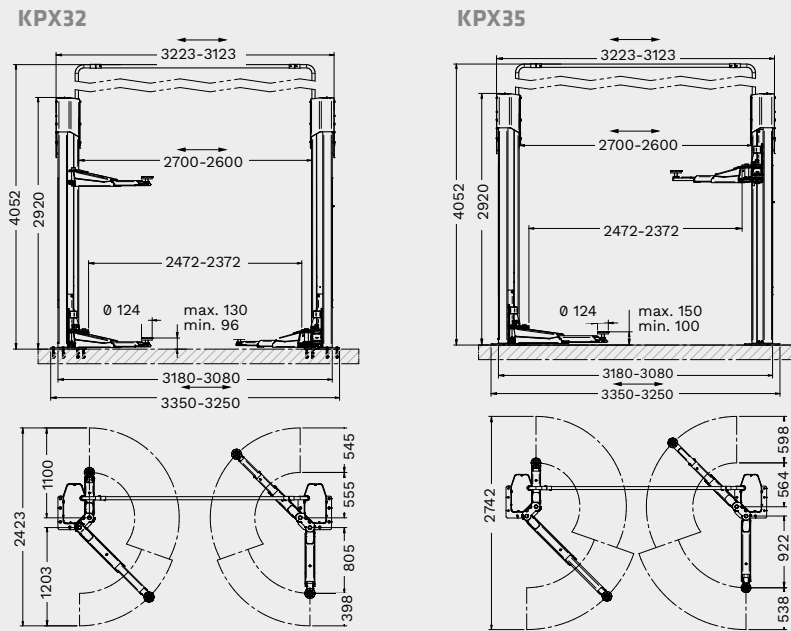
**More space for movement around the vehicle.** The lift is designed to maximise its layout while ensuring minimum space requirements.



**Quick car positioning.**  
The operator has at his disposal a wide loading area, without the necessity of pushing and pulling the vehicle to find the right lifting position.



# Technical Data

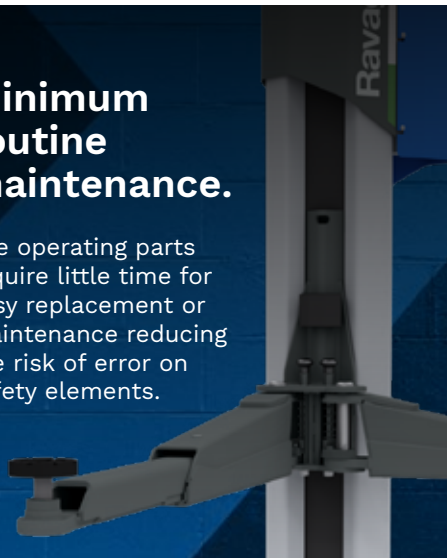


	KPX32	KPX35
<b>Capacity</b>	3200 kg	3500 kg
<b>Max. lifting height</b>	2000 mm	2020 mm
<b>Lifting time</b>	42 s	42 s
<b>Min. pad height</b>	96 mm	100 mm
<b>Max. pad height</b>	130 mm	150 mm
<b>Column height</b>	2920 mm	2920 mm
<b>Drive-through width</b>	2372-2472 mm	2372-2472 mm
<b>Min. ceiling height</b>	4150 mm	4150 mm
<b>Arm layout</b>	asymmetrical	
<b>Min. front arm length</b>	555 mm	564 mm
<b>Max. front arm length</b>	1100 mm	1160 mm
<b>Min. rear arm length</b>	805 mm	922 mm
<b>Max. rear arm length</b>	1200 mm	1460 mm
<b>Driving power</b>	2x2.6 kW	2x2.6 kW
<b>Width</b>	3250-3350 mm	3250-3350 mm
<b>Height</b>	4052 mm	4052 mm

	Item no.	Control	Energy kit	TEq-Link	Power supply
KPX32	RAV.KPX32.198570	switch			400 V   50 Hz
KPX32P	RAV.KPX32.198624	push buttons	✓	✓	400 V   50 Hz
KPX32P (230/3/50Hz)	RAV.KPX32.198785	push buttons	✓	✓	230 V   50 Hz
KPX35	RAV.KPX35.199010	push buttons		✓	400 V   50 Hz
KPX35E	RAV.KPX35.199157	push buttons	✓	✓	400 V   50 Hz

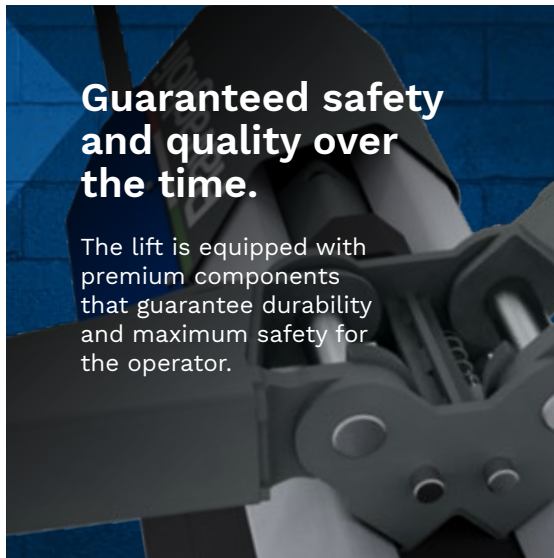
## Minimum routine maintenance.

The operating parts require little time for easy replacement or maintenance reducing the risk of error on safety elements.



## Guaranteed safety and quality over the time.

The lift is equipped with premium components that guarantee durability and maximum safety for the operator.



## Smart and flexible installation.

Up to 20% improvement in installation time. The electronic synchronization avoids the installation and adjustment of the realignment cable. The lifts can be installed in a flexible way thanks to three width-adjustable positions.



## Quick and easy operations.

The working bay is free of obstacles and the operations can be performed safely and comfortably.



**TEq-Link**  
connected workshop

## A step into the future.

Selected models with integrated **TEq-Link** module which enables to monitor work cycles, trigger alerts for scheduled maintenance and more.

# Accessories



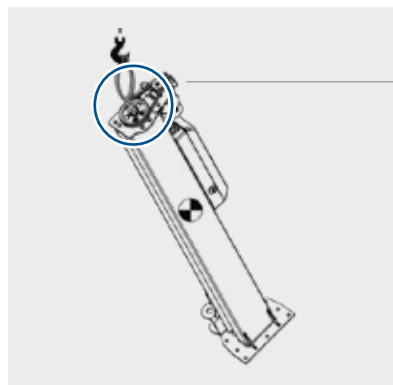
**VSG.2CALL.902023**

Kit containing pads to lift Fiat 500E and 500 ABARTH cars.



**VSG.2CELM.902344**

Kit for increasing overhead cable crossing height up to + 1.5 m.



**VSG.2CELM.901927**

Eyebolt for handling columns. It facilitates installation of the lift, can be used again for other installations.







**VSG.2CALL.901071**

Kit containing 8 spacers for pads  
4 spacers x H 89 mm + 4 spacers x H 127 mm, 2 spacer support brackets



**VSG.2CALL.901248**

Kit containing 4 spacers for pads  
4 spacers x H 200 mm, 2 spacer support brackets



**VSG.2CALL.901163**

Kit with frame engaging adapters  
1 set with 4 pieces



**VSG.2CALL.901330**

Kit with U-shaped frame engaging adapters  
1 set with 4 pieces



**VSG.2CALL.901538**

Kit with pads for TESLA vehicles  
1 set with 4 pads



**VSG.2CALL.902023**

Kit with pads for Fiat 500E, 500 ABARTH  
1 set with 4 pads



**VSG.2CALL.902146**

Kit with pads for MEB platform  
1 set with 4 pads



**VSG.2CALL.901378**

Outrigger plates kit (3.5 t)  
1 set of 2 plates, allowing installation on floors with poor capacity or lower concrete thickness



**VSG.2CELM.902344**

Kit for increasing overhead cable passage height  
Up to + 1.5 m



**VSG.2CELM.901927**

Eyebolt for handling columns (3.2 t - 3.5 t - 4.2 t)  
It facilitates installation of the lift, can be used again for other installations



**VSG.2CALL.902818**

Vehicles lift platforms kit  
1 set with 4 ramps, ramp height 60 mm



**VSG.2CALL.902085**

Kit of stands for alignment  
1 set with 4 stands



**VSG.2CALL.902641**

Magnetic tray  
1 set with 2 trays



### **RAV Italy**

Vehicle Service Group Italy S.r.l.

Via Filippo Brunelleschi 9  
44020 Ostellato (FE)  
Italy

☎ +39.051.6781511  
☎ +39.051.846349  
✉ rav@ravaglioli.com

### **RAV France**

RAV France SARL

4, Rue De Longue Raie  
ZAC de la Tremblaie  
91220 Le Plessis Pâté  
France

☎ +331.60.86.88.16  
☎ +331.60.86.82.04  
✉ rav@ravfrance.fr

### **RAV Germany**

BlitzRotary GmbH

Hüfingener Straße 55  
78199 Bräunlingen  
Germany

☎ +49.771.9233.0  
☎ +49.771.9233.99  
✉ ravid@ravaglioli.com

### **RAV UK**

Vehicle Service Group UK Ltd

3 Fourth Avenue,  
Bluebridge Industrial Estate  
Halstead, Essex, CO9 2SY  
United Kingdom

☎ +44.1787.477711  
☎ +44.1787.477720  
✉ rav@ravaglioli.com

DRD42U(01)

Technical data and composition presented in this catalogue may vary.  
Pictures reproduced are only indicative.  
Photo credits: Technik Auto Service - Autoquip Garage Equipment / Brands Hatch

Member of VSG - Vehicle Service Group  
a **DOVER** company

