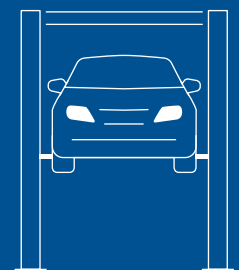


**2-POST LIFTS**  
Electrohydraulic



 **Ravaglioli**

**RAV**  
**KPH350.40**  
**KPH350.45**

**Electrohydraulic  
2-post lift without base,  
with asymmetric arms  
and symmetric posts  
that enable an easy  
access to the pick-up  
points of the vehicle.**



- Shut-off bar to prevent damage caused by lifting high vehicles.
- Two pistons for intensive use designed to minimise down-time, by requiring little maintenance.
- Mechanical safety latch with automatic engagement ensuring maximum safety when lift is in standing position.
- Manual release by lever.



Arm safety locking with automatic engagement and automatic release when the arm reaches the floor.

### Capacity



**4**

**KPH350.40**  
Recommended  
for lifting cars and  
pickups.



**4.5**

**KPH350.45**  
Recommended for  
lifting vans.

### Scope of delivery:



65 mm  
spacers.

**2**

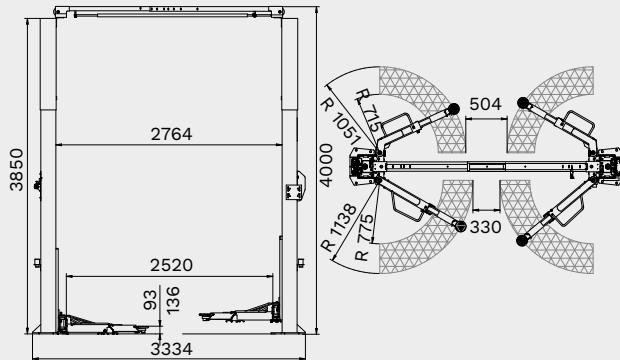
support brackets  
for spacers.



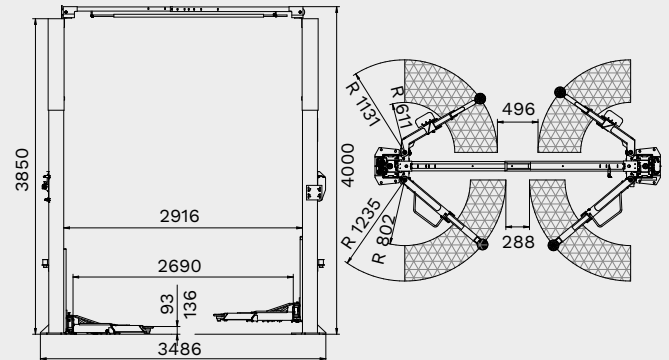
Powder coating for  
a longer lifetime.

# Technical Data

Model KPH350.40



Model KPH350.45



KPH350.40	
Item no.	Voltage
KPH-40ECGA	400/50/3ph
KPH-40NCGA	230/50/1ph

KPH350.45	
Item no.	Voltage
KPH-45ECGA	400/50/3ph

	KPH350.40	KPH350.45
Capacity	4000 kg	4500 kg
Max. lifting height	1863 mm (1928 mm with extensions)	1863 mm (1928 mm with extensions)
Lifting time	54 s	54 s
Min. pad height	100 mm	100 mm
Max. pad height	136 mm	136 mm
Column distance (internal)	2764 mm	2916 mm
Drive-through width	2506 mm	2659 mm
Max. usable height	3850 mm	3850 mm
Surface coating	powder coated	powder coated
Arm layout	asymmetrical	asymmetrical
Telescopic front arms	2 stages	3 stages (S)
Telescopic rear arms	2 stages	2 stages (L)
Min. front arm length	715 mm	611 mm
Max. front arm length	1051 mm	1131 mm
Min. rear arm length	775 mm	802 mm
Max. rear arm length	1138 mm	1235 mm
Width	3334 mm	3486 mm
Height	4000 mm	4000 mm
Weight	725 kg	750 kg
Driving power	2.2 kW	2.2 kW

\* S = short; L = long



#### **RAV Italy**

Ravaglioli S.p.A.

Via Primo Maggio 3  
Pontecchio Marconi  
40037 Sasso Marconi BO

+39.051.6781511  
+39.051.846349  
rav@ravaglioli.com

#### **RAV France**

RAV France SARL

4, Rue Longue Raie  
ZAC de la Tremblaie  
91220 Le Plessis Pâté

+331.60.86.88.16  
+331.60.86.82.04  
rav@ravfrance.fr

#### **RAV Germany**

BlitzRotary GmbH

Hüfänger Straße 55  
78199 Bräunlingen  
Germany

+49.771.9233.0  
+49.771.9233.99  
ravd@ravaglioli.com

#### **RAV UK**

Vehicle Service Group UK Ltd

3 Fourth Avenue,  
Bluebridge Industrial Estate  
Halstead, Essex, CO9 2SY, UK

+44.1787.477711  
+44.1787.477720  
rav@ravaglioli.com

DRD40U (01)

Technical data and composition presented in this catalogue may vary.  
Pictures reproduced are only indicative.

Member of VSG - Vehicle Service Group  
a DOVER company

