

Ravaglioli expands its horizons into body shop service

Sasso Marconi. February 2023 - Ravaglioli S.p.A., member of Vehicle Service Group (VSG) and leader in the motor vehicle equipment sector, is designing a new lift specifically for body shops.

For Ravaglioli, the new KBI series represents a complement to its already extensive range of lift range, this time turning its focus towards the specific needs of the body shop world. The series consists of five scissor lift models suitable for installation inside paint booth grids and preparation areas.

- Pneumo-hydraulic with manual arms - minimal and compact solution.
- Electro-hydraulic with manual arms - fast lifting.
- Electro-hydraulic with pneumatic operated arms - faster speed and enhanced ergonomics for use.
- Electro-hydraulic with wheel-lifting platforms - easy vehicle positioning.
- ATEX*¹ with pneumatic operated arms - anti-explosion configuration.

*¹ ATEX = ATmosphère EXplosible

The flexibility, speed and ease of installation is guaranteed by a paradigm shift: the structure of the lift is adjustable and adapts, within a certain range*², to the floor or grids and not the other way around as can be experienced with other models on the market.

*² The lift can be installed without any additional shim in grids 270 to 370 mm deep. Changing the standard intake grille is unnecessary. All you have to do is remove the grids for a 2000 x 700 mm surface area.

The unique *always on pad* function allows operators to optimise their intervention when positioning the vehicle. The arms are in fact equipped with a built-in pad that allows them to remain on the lift at all times, even in the rest position, thus making it immediately ready for use.

Emanuele Sandri, LD Lifts Product Manager: *"The focus was on three fundamental aspects: safety, operator ergonomics and installation flexibility. Thanks to the technical know-how consolidated over more than 50 years of designing scissor lifts, it was in fact possible to develop and patent an automatic arm stop system that is unique on the market and guarantees maximum load stability. With the KBI series, Ravaglioli confirms*

RAV Italy

Ravaglioli S.p.A.

Via Primo Maggio 3
Pontecchio Marconi
40037 Sasso Marconi BO

☎ +39.051.6781511
☎ +39.051.846349
✉ rav@ravaglioli.com

RAV France

RAV France SARL

4, Rue Longue Raie
ZAC de la Tremblaie
91220 Le Plessis Pâté

☎ +33.1.60.86.88.16
☎ +33.1.60.86.82.04
✉ rav@ravfrance.fr

RAV Germany

BlitzRotary GmbH

Hüfinger Straße 55
78199 Bräunlingen
Germany

☎ +49.771.9233.0
☎ +49.771.9233.99
✉ ravid@ravaglioli.com

RAV UK

Vehicle Service Group UK Ltd

3 Fourth Avenue,
Bluebridge Industrial Estate
Halstead, Essex, CO9 2SY, UK

☎ +44.1787.477711
☎ +44.1787.477720
✉ rav@ravaglioli.com



its position as world leader in garage equipment, able to offer complete and innovative solutions, drawing on its experience in the sector."

More information on the KBI series can be found on the product page - www.ravaglioli/KBI-Series.com.

Ravaglioli-KBI-Series-en-PR-2023-02

RAV Italy

Ravaglioli S.p.A.

Via Primo Maggio 3
Pontecchio Marconi
40037 Sasso Marconi BO

+39.051.6781511
+39.051.846349
rav@ravaglioli.com

RAV France

RAV France SARL

4, Rue Longue Raie
ZAC de la Tremblaie
91220 Le Plessis Pâté

+33.1.60.86.88.16
+33.1.60.86.82.04
rav@ravfrance.fr

RAV Germany

BlitzRotary GmbH

Hüfinger Straße 55
78199 Bräunlingen
Germany

+49.771.9233.0
+49.771.9233.99
ravd@ravaglioli.com

RAV UK

Vehicle Service Group UK Ltd

3 Fourth Avenue,
Bluebridge Industrial Estate
Halstead, Essex, CO9 2SY, UK

+44.1787.477711
+44.1787.477720
rav@ravaglioli.com



About Ravaglioli

Founded in 1958 in Sasso Marconi (BO) with the aim of designing and marketing vehicle lifting equipment, Ravaglioli has expanded its offering over the years to become Europe's leading builder of vehicle lifts and one of the main companies in the production of equipment for tyre shops and diagnostics (vehicle control and wheel alignment). Member of Vehicle Service Group (VSG) since 2016, it is one of the leading brands in the VSG EMEA division. In addition to its historical headquarters in the hills of Bologna, it has three additional production units in Ferrara, Rolo (Reggio Emilia) and Turin, and three subsidiaries in France, Germany and the UK. Additional information is available at www.ravaglioli.com.

About Vehicle Service Group

Part of Dover Corporation's Engineered Systems segment, VSG is a strong, diverse and dynamic global leader in the vehicle service industry. It comprises 8 major vehicle lifting, wheel service and collision repair brands: Rotary, Ravaglioli, Space, Chief, Forward, Direct-Lift, Revolution and Hanmecson. Headquartered in Downers Grove, Illinois, VSG has operations worldwide, including ISO9001 certified manufacturing centers in North America, Europe and Asia. Additional information is available at www.vsgdover.com.

For further information please contact:

Wolf-Erik Schmitt
Director of Marketing & Communication VSG EMEA
+49.176.11923374
wschmitt@vsgdover.com

Ravaglioli-KBI-Series-en-PR-2023-02

RAV Italy

Ravaglioli S.p.A.

Via Primo Maggio 3
Pontecchio Marconi
40037 Sasso Marconi BO

+39.051.6781511
+39.051.846349
rav@ravaglioli.com

RAV France

RAV France SARL

4, Rue Longue Raie
ZAC de la Tremblaie
91220 Le Plessis Pâté

+33.1.60.86.88.16
+33.1.60.86.82.04
rav@ravfrance.fr

RAV Germany

BlitzRotary GmbH

Hüfinger Straße 55
78199 Bräunlingen
Germany

+49.771.9233.0
+49.771.9233.99
ravd@ravaglioli.com

RAV UK

Vehicle Service Group UK Ltd

3 Fourth Avenue,
Bluebridge Industrial Estate
Halstead, Essex, CO9 2SY, UK

+44.1787.477711
+44.1787.477720
rav@ravaglioli.com



Logo-VSG-BI



Logo-RAV-Long-Vers-BI



Ravaglioli-KBI-Series-Hero



Scissor-lift-KBI-Series-MI

Ravaglioli-KBI-Series-en-PR-2023-02

RAV Italy

Ravaglioli S.p.A.

Via Primo Maggio 3
Pontecchio Marconi
40037 Sasso Marconi BO

☎ +39.051.6781511
☎ +39.051.846349
✉ rav@ravaglioli.com

RAV France

RAV France SARL

4, Rue Longue Raie
ZAC de la Tremblaie
91220 Le Plessis Pâté

☎ +33.1.60.86.88.16
☎ +33.1.60.86.82.04
✉ rav@ravfrance.fr

RAV Germany

BlitzRotary GmbH

Hüfinger Straße 55
78199 Bräunlingen
Germany

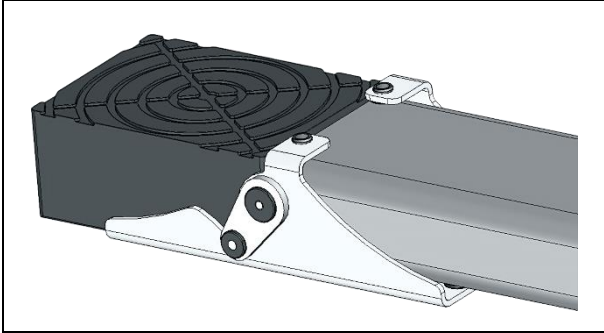
☎ +49.771.9233.0
☎ +49.771.9233.99
✉ ravid@ravaglioli.com

RAV UK

Vehicle Service Group UK Ltd

3 Fourth Avenue,
Bluebridge Industrial Estate
Halstead, Essex, CO9 2SY, UK

☎ +44.1787.477711
☎ +44.1787.477720
✉ rav@ravaglioli.com



Scissor-lift-KBI-Series-arms-DI



Scissor-lift-KBI-Series-MI-02

RAV Italy

Ravaglioli S.p.A.

Via Primo Maggio 3
Pontecchio Marconi
40037 Sasso Marconi BO

☎ +39.051.6781511
☎ +39.051.846349
✉ rav@ravaglioli.com

RAV France

RAV France SARL

4, Rue Longue Raie
ZAC de la Tremblaie
91220 Le Plessis Pâté

☎ +33.1.60.86.88.16
☎ +33.1.60.86.82.04
✉ rav@ravfrance.fr

RAV Germany

BlitzRotary GmbH

Hüfinger Straße 55
78199 Bräunlingen
Germany

☎ +49.771.9233.0
☎ +49.771.9233.99
✉ ravid@ravaglioli.com

RAV UK

Vehicle Service Group UK Ltd

3 Fourth Avenue,
Bluebridge Industrial Estate
Halstead, Essex, CO9 2SY, UK

☎ +44.1787.477711
☎ +44.1787.477720
✉ rav@ravaglioli.com