

SPECIFICATION

Mercedes-Benz

ELECTRO-HYDRAULIC



RAV8055.2.54MB

Electro-hydraulic scissors lift, capacity 5,5 T.

Supplied with the lift:

- Alignment runways
- Rear built-in sliding tables front spacers for turn tables
- Long run-up ramps
- J40PYMB - 4t Jacking Beam with MB specific adapters (spiral cable included)
- MKS - system to check lift planarity. The MKS kit allows to place the four targets and check the perfect lift planarity.

Lighting Kit - six led lights.

Energy Kit:

- 2 compressed air quick connections
- 1 electric plug Schuko 220V single phase

Targets, cameras and turn tables are part of the wheel aligner and not included with the lift.

SPECIFICATION

Mercedes-Benz

Alignment runways

Rear built-in sliding tables front spacers for turn tables.

The MKS kit allows to place the four targets and check the perfect lift planarity.

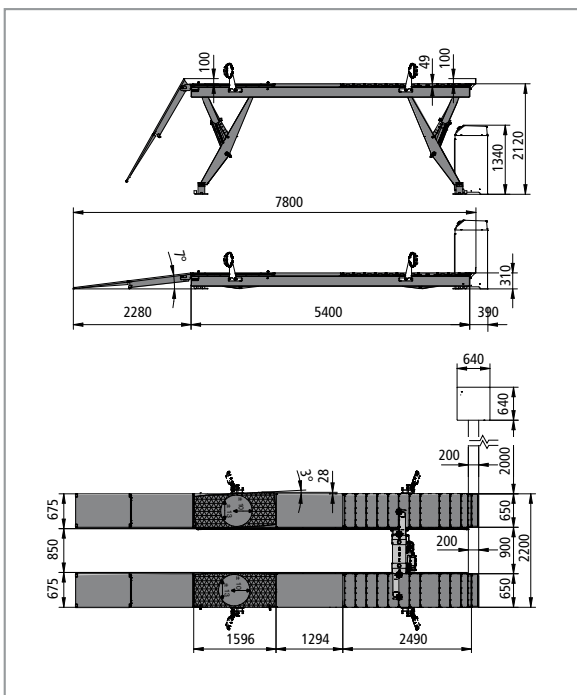
Targets, cameras and turn tables are part of the wheel aligner and are not included with the lift.

MKS system to check lift planarity.

J40PYMB - 4t jacking beam with MB specific adapters (spiral cable included)

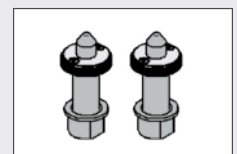
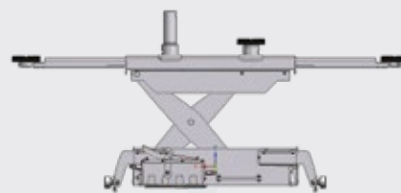
Lighting kit - six led lights

Long run up ramps

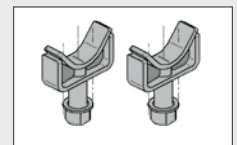


J40PYMB

Includes



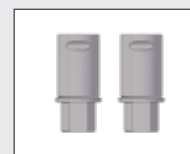
S370A25



S370A26



H=80 MM



H=140 MM



H=200 MM

