

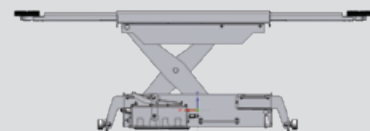
# SPECIFICATION

## Mercedes-Benz



Electro-hydraulic 4 post lift  
Capacity 4 T

### RAV4406 MB



**J30PMB**  
*Includes:*

**S305A4**



**S370A19**



**S224A3**  
H=140 MM



**S224A4**  
H=80 MM



#### Description

##### **RAV4406 MB**

Electro-hydraulic 4 post lift, capacity 4 T

##### *Supplied with the lift:*

Alignment runways

Rear built-in sliding tables front spacers for turn tables

Long run-up ramps

**J30PMB** - 3t Jacking Beam with MB specific adapters  
(spiral cable included)

**MKS** - system to check lift planarity.

The MKS kit allows to place the four targets and check the perfect lift planarity. Targets, cameras and turn tables are part of the wheel aligner and not included with the lift.

Lighting Kit - four led

Energy Kit:

- 2 compressed air quick connections

- 1 electric plug Schuko 220V single phase

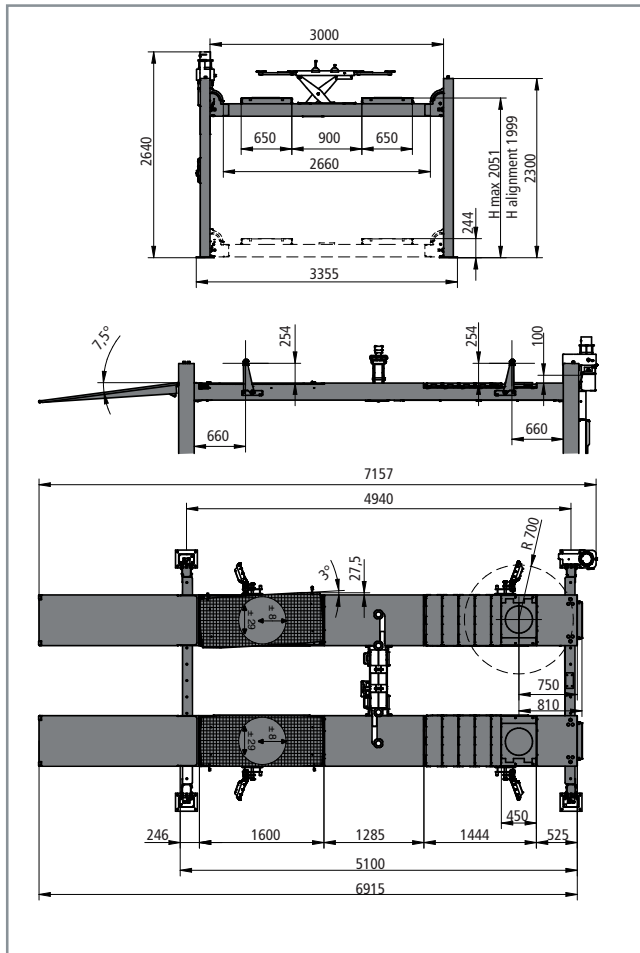
# SPECIFICATION

## Mercedes-Benz



Electro-hydraulic 4 post lift  
Capacity 4 T

### RAV4406 MB

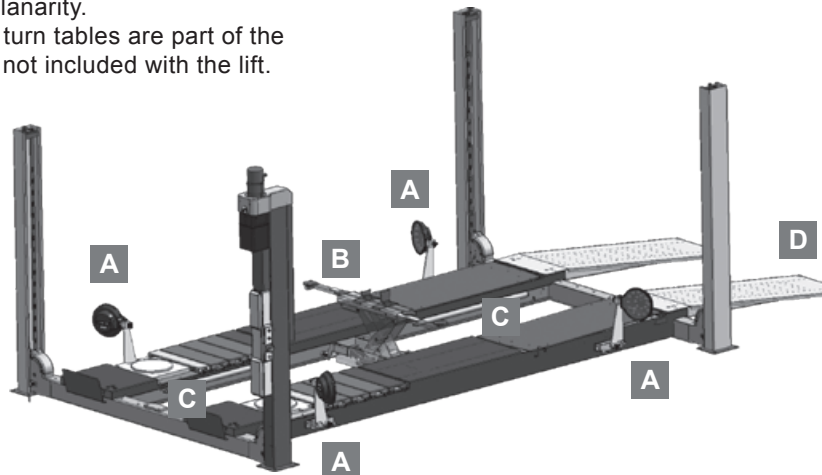


#### Alignment runways

Rear built-in sliding tables front spacers for turn tables

- |   |   |
|---|---|
| A | <b>MKS</b> system to check lift planarity.  |
| B | <b>J30PMB</b> - 3t jacking beam with MB specific adapters (spiral cable included) |
| C | Lighting kit - four led   |
| D | Long runuo ramps  |

The MKS kit allows to place the four targets and check the perfect lift planarity. Targets, cameras and turn tables are part of the wheel aligner and are not included with the lift.



**Ravaglioli S.p.A.**

via 1° maggio 3 - Fraz. Pontecchio M. - 40037 Sasso Marconi (Bo) - Italia

Tel. +39 - 051-6781511 - Fax +39 - 051-846349 - rav@ravaglioli.com - www.ravaglioli.com